



SUPER SLIM POWER VAC

Battery	29.6V/2200mAh
Charging Period	4.5 hours
Battery Charger Output	35V/500mA
Net Weight	2.5kg
Usage Time	MIN: 40min - 45 min (ECO cleaning mode) MAX: Up to 15 min (Boost Cleaning Mode)
Power	350w
Model Number	KSLIMVAC-01

User Manual

Please Read this User Guide carefully before use & keep it handy for future reference



SAFETY WARNINGS



Read the operating instructions carefully and especially observe the safety information. If you do not follow the safety instructions and information on proper handling in this manual, we assume no liability for any resulting personal injury or damage to property. Such cases will invalidate the warranty/guarantee.

IMPORTANT GENERAL USE:

This appliance is not intended for use by persons (including children) with reduced physical, sensory or mental capabilities, or lack of experience and knowledge, unless they have been given supervision or instruction concerning use of the appliance by a person responsible for their safety. Children should be supervised to ensure that they do not play with the appliance.

a. General use:

- To avoid fire, explosion or injury, inspect the battery pack and charger for any damage before use. **DO NOT** use vacuum with a damaged battery pack or charger.
- If handheld vacuum/wand is damaged, discontinue use.
- **DO NOT** use outdoors or on wet surfaces. Use only on dry surfaces.
- Ensure the whole unit, battery and charging cord **DOES NOT** come in contact with any liquids and is always kept away from any liquids at all times.
- **DO NOT** vacuum up hard or sharp objects such as glass, nails, screws, or coins that could damage the vacuum. **DO NOT** vacuum up drywall dust, fireplace ash, or embers. **DO NOT** use it as an attachment to power tools for dust collection.
- **DO NOT** vacuum up smoking or burning objects such as hot coals, cigarette butts, or matches.
- **DO NOT** vacuum up flammable or combustible materials (e.g, lighter fluid, gasoline, or kerosene) or vacuum in areas where they may be present.
- **DO NOT** vacuum up toxic solutions (e.g, chlorine bleach, ammonia, or drain cleaner).
- **DO NOT** use in an enclosed space where vapours are present from paint, paint thinner, moth-proofing substances, flammable dust, or other explosive or toxic materials.
- **DO NOT** vacuum up any liquids.
- **DO NOT** immerse vacuum in water or other liquids.
- Use extra care when cleaning on stairs.
- **DO NOT** handle the charger or vacuum with wet hands.
- When switched on, **DO NOT** leave vacuum unattended.
- Always turn OFF this appliance before connecting or disconnecting the floor nozzle/attachments.
- Use only the KRAPOF® Super Slim Power Vac recommended chargers and batteries. Other types of batteries may burst, causing injury and damage.
- **DO NOT** incinerate appliances, even if it is severely damaged, as the battery pack may explode in a fire.
- Keep your work area well lit.
- Keep the vacuum moving over the carpet surface at all times to avoid damaging the carpet fibres.
- **DO NOT** place vacuum on unstable surfaces such as chairs or tables.
- **DO NOT** put any objects into openings. **DO NOT** use it with any openings blocked; keep free of dust, lint, hair, and anything that may reduce airflow.
- **DO NOT** allow young children to operate the appliance or use it as a toy. Close supervision is necessary when any appliance is used in children. Care and cleaning shall not be made by children without supervision.
- **DO NOT** use it without a roller, dustbin, and all in place.

SAFETY WARNINGS

- **DO NOT** use it if airflow is restricted; if the air paths or the floor nozzles/attachments become blocked, turn off the vacuum and remove the battery. Clear all obstructions before returning battery to vacuum and powering on again.
- Keep floor nozzles/attachments away from the hair, face, uncovered feet, or loose clothing.
- **DO NOT** charge the battery pack at temperatures below 32°F(0°C) or above 122°F(50°C).
- Store the appliance indoors. **DO NOT** use or store it below -4°F (-20°C). Ensure the appliance is at room temperature before operating.

b. Dustbin, Filters and Accessories:

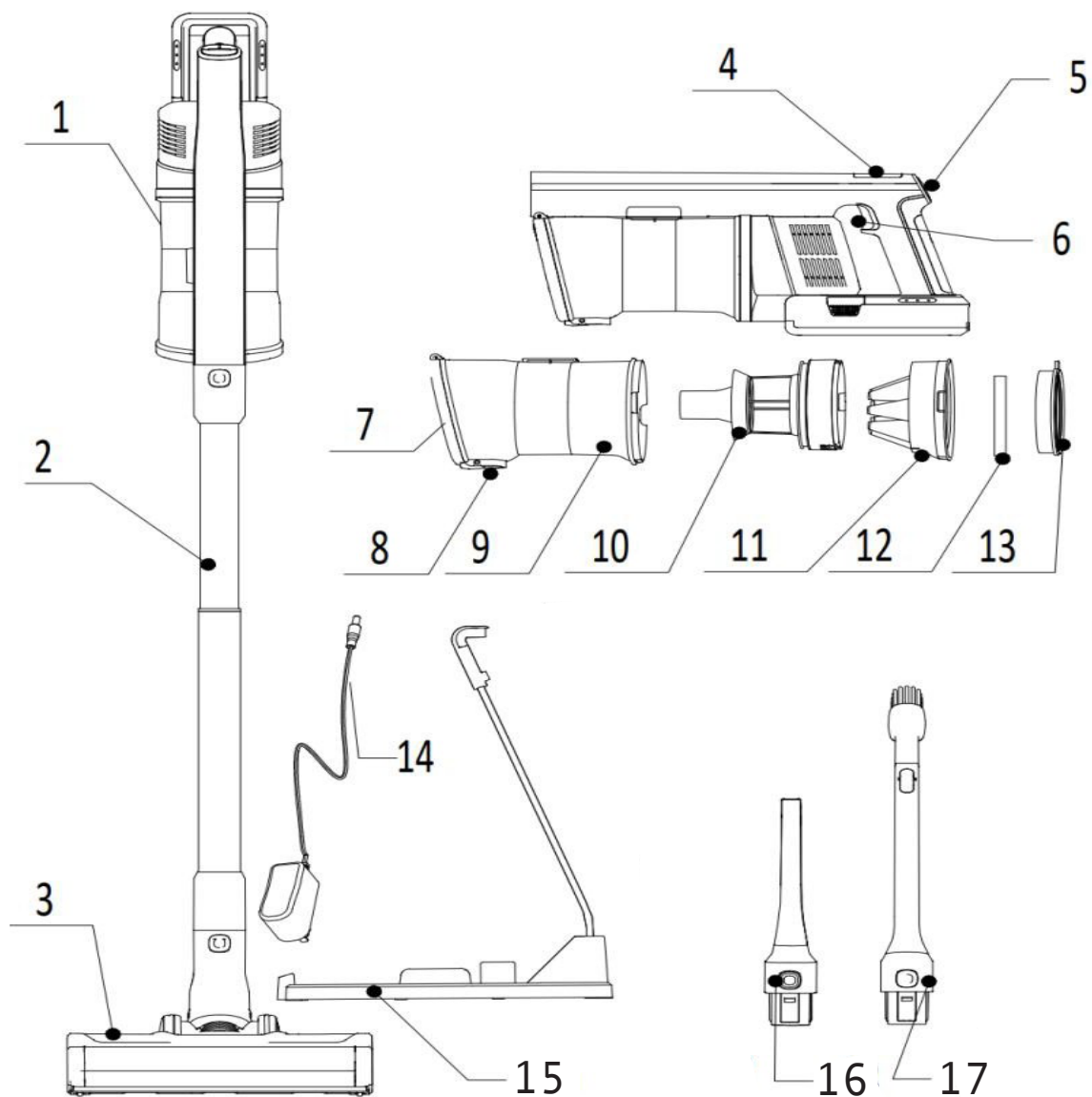
Before turning on the vacuum:

- Make sure that all filters are thoroughly dry after routine cleaning.
- Make sure brush rollers, dustbin, and all are in place after routine maintenance.
- Make sure accessories are free of block ages and keep openings away from face and body.
- Use only KRAPOF® Slim Vac 3000 recommended filters and accessories. Using others will void warranty.
- For optimum performance, wash the filter every 2 weeks with water. Otherwise, it may result in poor performance and loss of production. Please replace the filter every 4-6 months, dependant on usage and dirt being collected, this can be purchased from <https://klevaorange.com.au/>

c. Battery Pack:

- The Battery Pack is the power source for the appliance. When the battery pack is installed into the appliance, **DO NOT** carry the appliance around with your finger on the power button. **DO NOT** charge appliances while powered on.
- Ensure the whole unit, battery and charging cord **DOES NOT** come in contact with any liquids and is always kept away from any liquids at all times.
- Disconnect the battery pack from the appliance before making any adjustments or troubleshooting. If the appliance is to be stored unused for a long period, remove the battery pack.
- You **MUST** only use the provided/recommended charger that comes with the KRAPOF® Super Slim Power Vac to charge. Use of an incorrect charger may create a risk of fire when used with the battery pack.
- Use appliances only with designated battery packs. Use of any other battery packs may create a risk of injury and fire.
- When the battery pack is not in use, keep it away from metal objects, such as paper clips, coins, keys, nails, or screws. Shorting the battery terminals together increases the risk of fire or burns.
- Under abusive conditions, liquid may be ejected from the battery pack. Avoid contact with liquid, as it may cause irritation or burns. If Contact Occurs, flush with water. If liquid contacts eyes, seek medical help immediately.
- Always keep the battery pack away from heated surfaces.
- **DO NOT** expose battery pack or appliance to or temperature above 266°F (130°C) as it may cause an explosion.
- Follow all charging instructions and **DO NOT** charge the battery pack or appliance outside of the temperature range in the instructions. Charging improperly or at temperatures outside of the range may damage the battery pack and increase the risk of life.
- Appliances should only be serviced by repair personnel using only identical replacement parts. To ensure safety **DO NOT** modify or attempt to repair the appliance or battery pack yourself, except as indicated in the instructions for use and care.
- Battery pack should not be stored at temperatures below -4°F (-20°C) or above 113°F (45°C) to maintain long-term battery life.
- Battery pack should not be exposed to or submerged in any water, salt water, or other liquids.

PARTS/FEATURES



- | | | |
|---------------------|--------------------------------|------------------------------|
| 1. Hand Held Vacuum | 7. Dustbin Cover | 13. Hepa Filter |
| 2. Telescopic Pole | 8. Dustbin Empty Button | 14. Power Adapter |
| 3. LED Turbo Head | 9. Dustbin Filter Frame | 15. Storage Base |
| 4. Digital Display | 10. Cyclone Frame | 16. Long Crevice Tool |
| 5. Function Button | 11. Cyclone Frame Inner Insert | 17. Telescopic Curtain Brush |
| 6. Switch Button | 12. Sponge | |

1. Accessory Instructions/Assembly

1.1 Telescopic Pole:

Push down on the black tab located on the bottom of the telescopic pole. Then extend until it clicks into place to adjust the overall length of the pole to suit your cleaning requirements.



1.2 Full-size LED Turbo Head:

The built in LED lights provide a bright and focused illumination, making it easier for the powerful suction head to suck up any dust, dirt and debris which is hard to notice. The wide suction head is great for everyday cleaning such as under the couch and in the kitchen.

How to attach:

Step 1:

Insert the LED Turbo Head into the Telescopic Pole, pressing it in until it clicks securely into place.

Step 2:

Insert the top of the Telescopic Pole into the vacuum body by pressing it in until you hear a click.



1.3 Long Crevice Tool:

The narrow design allows you to clean those tight spaces with precision and speed making it perfect for short reach cleaning. The Crevice Tool is suitable to clean those hard reach areas such as between the sofa cushions, baseboards, interior of your car, window corner and other household appliances/areas.

How to attach:

Simply grab the Long Crevice Tool and insert into the open hole of the Handheld Vacuum and you will hear it click into place.



1. Accessory Instructions/Assembly

1.4 Telescopic Curtain Brush:

The Telescopic Curtain Brush features soft bristles for safely removing dust and debris from delicate fabrics. It's ideal for cleaning fluff and pet hair on couches, curtains, carpets, and car upholstery. This extendable attachment is perfect for reaching high areas.

Image 1: Original brush size.

Image 2: Push down on the black tab and pull up on the neck to extend.

How to attach:

Simply remove the LED Turbo Head, grab the Long Crevice Tool and insert into either the end of the Vacuum Stick or the opening of the Vacuum body.

You will then hear it click into place.



1.5 Storage Base:

Place and position your KRAPOF® Super Slim Power Vac between the gaps of the storage base and lean the chrome pole and upper body between the assembled legs of the base. Follow below instructions for assembly:

How to attach:

Step 1:

Insert both metal legs into the bottom of the storage base, making a triangular shape.

Step 2:

Place the cap onto the legs and fix the screws in both holes of the legs, tightening and securing them with a screwdriver. If the screws are missing, don't worry, simply push the handle in firmly and it will hold its position and provide support.



1.6 Battery Pack

Step 1.

Releasing the Battery Pack (Image 1): Press the two gold Battery Pack release Buttons that are either side of the battery, then pull upwards to slide the battery Pack out.

Step 2.

Inserting the Battery Pack (Image 2): Slide the Battery Pack into the top bottom of the main body. The battery Pack will click into position when correctly fitted them!



2. Product Operation



WARNING: KEEP AWAY FROM CHILDREN
WARNING: KEEP AWAY FROM ANY LIQUIDS OR SUNLIGHT

NOTE:

1. Before the first use, please fully charge the batteries for a minimum of four hours and keep the battery and unit away from any sunlight or hot areas. Please charge/place it in the environment of 4°C (39.2°F) ~ 40°C (104°F).
2. After being left for 2 hours, charge the battery after it has returned to room temperature.

2.1 Operate the unit:

Step 1.

Press the switch button once to start vacuuming;

Step 2.

Press the Function button “-” or “+” to go between BOOST mode and ECO mode.

Step 3.

Press the Function button “AUTO” to use the automatic cleaning mode, the speed will then be adjusted according to the amount of dust. Do not press and hold the power button as the unit will not work.

○	↑↑	Power Indicator Icon	☹	↑↑	Dust Sensor Indicator Icon
AUTO	↑↑	Auto Mode Indicator	↑↑	↑↑	Dual Sensor Indicator
⏏	↑↑	Block Indicator	↑↑	↑↑	
⏏	↑↑	Power Brush Sealed Indicator	↑↑	↑↑	
⏏	↑↑	Power Indicator	↑↑	↑↑	



2.2 Emptying The Dustbin:

To **OPEN** the Dustbin Lid press down on the rose gold release button on the front of the dust bin to empty all picked up dust.

To **CLOSE** the Dustbin Lid press down on the rose gold release button on the front of the dust bin and with your other hand slowly and gently lift the lid up to close and from there release the rose gold button to secure.

NOTE:

Failing to close the Dustbin correctly can weaken the clip on the lid and lead to breakage due to unnecessary force. Always hold down on the rose gold release clip when opening or closing.



2. Product Operation

2.3 Battery Pack Charging Indicator Light & Operation Time:

How to charge the battery pack:

Step 1.

Remove the battery pack from the Handheld Vacuum.

Step 2.

Insert the power adapter into the wall socket and on a dry flat surface away from any liquids or sunlight plug the charging cord into the battery pack.

Tip: To avoid being tripped accidentally, please put away the appliance on the powerhouse near-wall during charging.

Remarks: When the machine has just been used, the machine gets a little hot, it is recommended to cool the battery pack before charging.

Charging Time: Charging time takes about 4.5 hours.

One solid white light and two blinking: 25% charged

Two solid white lights and one blinking: 75% charged

All solid white lights: fully charged (lights will turn off within 1 minute)

Tip:

Charge both batteries for 4 hours before first use and after each use to maintain battery health. Always unplug the power cord from the battery once fully charged. For the first use, run the Slim Vac until it's completely out of power to condition the battery.

Working Time:

Working time lasts about 40-45 min on BOOST mode and about 15 min on MIN mode.

When only one battery indicator flashes, it means that the machine has no power and that it needs to be charged.

When the battery is fully charged, all white lights will be on and will turn off within one minute.

- All lights blinking white light: Out of power
- One blinking white light: Almost no power
- One solid white light: 25% power left
- Two solid white lights: 75% power left
- All solid white lights: Fully charged



3. Daily Maintenance/Cleaning:

3.1 Dustbin, Filters and HEPA filter:

For optimum performance, wash the filter every 2 weeks with water. Otherwise, it may result in poor performance and loss of production. The filters need replacing every 4-6 months.

How to open the Dustbin and remove the Hepa Filter and the Cyclone Frame:

Step 1.

Remove the Telescopic Pole from the body of the Vacuum and empty the dust bin.

Step 2.

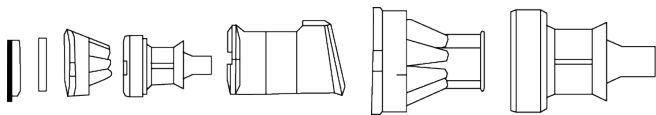
Close the dustbin lid and press the rose gold release button located on the dustbin cover. While holding the button, gently push down on the dustbin and pull it away from the body of the handheld vacuum.

Step 3.

Find the lip of the filter, which is the small black part that fits into a groove. Remove the Filter: Pull the filter upwards to remove it from inside the dust bin

Step 4.

Take out the HEPA filter first, then lift up the cyclone frame (Image 1). See (Image 2), the plain side of the cyclone frame should be on the same side of the filter frame - that has icons of "lock" and "unlock" like the image shown below. The line on the cyclone frame should match the "unlock" icon on the top of the filter frame.



Step 5.

Wash the filter frame, sponge HEPA filter and the Dustbin, with room temperature water. Massage all 3 attachments gently with your hands under room temperature water.

Step 6.

Dry the HEPA filter and sponge filter frame completely before putting them back in the Dustbin. The dustbin and filter frame should be air-dried completely before reinstalling. When completely dry, assemble the filter to the cyclone frame.

3.2 Maintaining the LED Turbo Head:

Step 1.

Remove the LED Turbo Head from the chrome pole and turn the head around with the flat side facing you. On the bottom right corner, push the red tab to the left and lift the brush latch on the right and remove the brush frame from the brush window. Please see the below image.



Step 2.

Remove the hair and debris wrapped around the roller brush with scissors and gently clean the transparent brush window with a dry cloth.

Step 3.

After you have finished the cleaning process, insert the rolling brush back into the LED Turbo Head window. On each side of the roller brush you will see 2x holes with shapes moulded, side 1 will show a hole with a star and side 2 will show a U shape. When inserting the roller brush you will need to align side 1 (star shape) with the right hand side LED Turbo Head window and side 2 (U shape) with the left hand side.

Once the roller brush is inserted, place and push down on the brush frame to lock into place.



4. Troubleshooting:

To reduce the risk of shock and unintended operation, turn power off and remove the battery pack before servicing.

Problem	Possible Cause	Possible Solution
Why has my vacuum stopped suctioning?	<ul style="list-style-type: none"> • Dustbin is full • Filters clogged or dirty • Roller brush clogged by hair/debris 	<ul style="list-style-type: none"> • Empty the dustbin • Clean/change the filters • Clean the roller brush (page 11)
My Suction power isn't very strong?	<ul style="list-style-type: none"> • Filters clogged or dirty • Dustbin not installed correctly • Low battery • Vacuum pole is blocked • Joint between pole and turbo head is blocked 	<ul style="list-style-type: none"> • Reinstall the dustbin and ensure the lid is closed completely • Clean the filters • Reinstall the dustbin • Fully charge the battery • Disconnect nozzle to remove debris
Vacuum suddenly turns off on its own?	<ul style="list-style-type: none"> • Dustbin is full • Filters clogged or dirty • Vacuum overheat 	<ul style="list-style-type: none"> • Empty the dustbin • Clean the filters • Let the vacuum cooldown and retry
Vacuum won't turn ON properly?	<ul style="list-style-type: none"> • Low power • Filters clogged or dirty • Vacuum is set to BOOST mode 	<ul style="list-style-type: none"> • Fully charge the battery • Let vacuum cooldown and retry • Press power switch once instead of holding down
My battery is draining quickly?	<ul style="list-style-type: none"> • Low power • Filters clogged or dirty • Vacuum is set to BOOST mode 	<ul style="list-style-type: none"> • Fully charge the battery (view charging steps on pg 8) • Filters clogged or dirty • Use the - button to reduce the speed to ECO or STANDARD

4. Troubleshooting:

My battery isn't lasting as long as it should?

Your vacuum will automatically be on BOOST mode once turned on so you may want to change to MIN mode to ensure your battery lasts the maximum amount. Make sure you charge both batteries for the full 4 hours before first use and after each use, to ensure the batteries health. We advise to take the battery off charge once fully charged. During first use, use the Vacuum until it is completely out of power. This will condition the battery. Keep in mind that battery runtime varies depending on usage time and the type of surface being cleaned. For instance, vacuuming a thick carpet in BOOST mode will drain the battery more quickly than cleaning bare floors.

I can't find the screws for my Super Slim Power Vac stand?

The screws for the Slim Power Vac stand come in a very small poly packet, which can sometimes be easy to miss when unpacking the contents. If you think you could have misplaced them don't worry just press the cap fully down and it will sit in place.

My Vacuum isn't turning on properly?

To power on your Krapof® Super Slim Power Vac, simply press the on/off button once and then release it – the vacuum will activate. To turn off the vacuum, press the button again. You do not need to hold the button down.

What cleaning modes does the Slim Vac have?

BOOST Mode – (displayed as 5 arrows):

This is the vacuum's highest power setting, providing maximum suction for deep cleaning or tackling stubborn dirt. It's ideal for tough spots but drains the battery more quickly.

Min Mode – (displayed as 1 arrow):

Designed for energy efficiency, Eco Mode reduces suction power to extend battery life. It's great for light cleaning and regular maintenance, offering a longer runtime between charges.

Auto Mode – (Displayed as 3 arrows):

A balance between power and battery efficiency, suitable for regular cleaning on various surfaces.

I am having trouble removing my Dust Bin from the vacuum?

The dustbin may be a little stiff the first few uses so you may have to apply some force to remove! It is a clip/latch system therefore we recommend pressing down on the dustbin whilst pulling upwards on the Vacuum body. If the Vacuum has been incorrectly assembled and the dustbin not lined up correctly, then the dustbin may be slightly jammed. You may need to apply a light tap to dislodge it.

Need more help?

Use the QR code on the right to access our Help Page with step-by-step videos, troubleshooting tips, and additional support.



KLEVA RANGE®

W. www.klevarange.com.au
P. 02 9387 4100
E. support@klevarange.com.au
A. Suite 301 / 209 Oxford St
Bondi Junction NSW 2022 Australia

ABN 25 060 265 929